

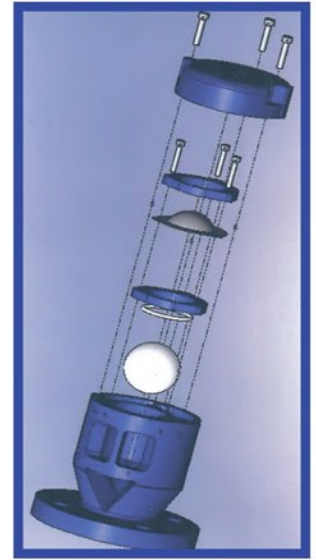
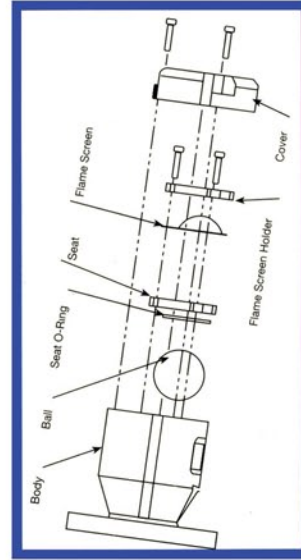


Maritime Inc.

Air Vent Heads
Pipe Couplings
Double Drain Valves



Mescit Mh. Ataturk Cad. Birmes San. Sitesi A/2 Blok No:1 P.K. 34956 Orhanli - Tuzla / ISTANBUL TURKEY
Tel : 0090 216 394 8080 (PBX) Fax : 0090 216 394 1702 Web : <http://www.rotmak.com.tr>



NO	PART NAME	MATERIAL
1	Body, Cover & Seat	GG 25
2	Ball	Polyethylene
3	Flame Screen	Stainless Steel 9 Mesh
4	Flame Screen Holder	GG 25
5	Seat O-Ring	Nitrile Rubber

Rotmak R-series Air Vent Heads are used for providing ballasts of all tanks on ship. Producing type, make the pipe volume not narrow down or collapsed. Flame Screen is used for especially the storage tanks contains oil fuel.

1 - ROTMAK R-Series Ball Closing Type Air Pipe Vent Heads are available DN 50 to DN 200 flange range to service open tanks. The vent head consists of GG 25 cast iron material BODY, COVER and SEAT, high density polyethylene material rotation method production BALL, stainless steel material 9 mesh Flame screen and nitrile rubber material SEAT ORING...

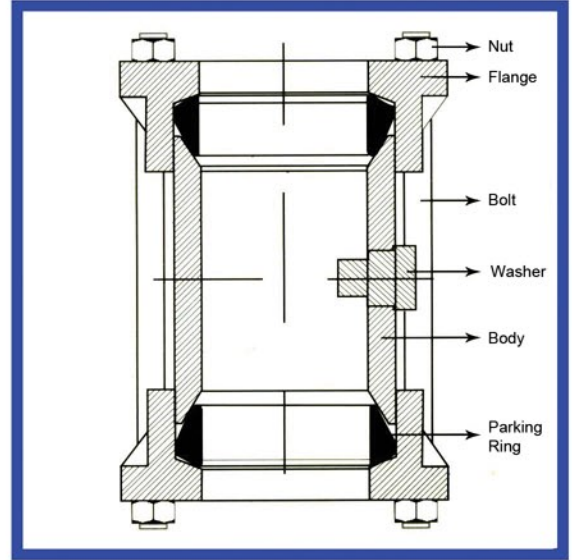
2 - INSTALLATION AND MAINTENANCE INSTRUCTIONS

• Installation:

- Rotmak R-series Air Vent Heads are not to be used for cargo tanks of tankers.
- Air pipe arrangements and dimesions from tank must be according to Class Society.
- Rotmak R-series Air vent Heads available DN PN 16 standards Flange size use capable gasket and bolt to the install air pipe.
- Rotmak R-series Air Vent Heads capable oil fuel storage tanks application.

• Maintenance:

- Check every year Flame Screen and Seat O-ring.
- Remove the Cover.
- Remove the Flame Screen Holder and clean the Flame Screen by air.
- Make up visual check the Ball and the Seat O-ring for any scratch and damage.
- Keep well conditions of paint to prevent corrosion.



NO	PART NAME	MATERIAL
1	Body	ST 42
2	Flange	GGG 40.3
3	Washer	Brass
4	Parking Ring	NBR
5	Nut & Bolt	ST 37

1 - ROTMAK R-Series Pipe Couplings are available DN 80 to DN 300 flange range to service on pipe systems. The Couplings consist of GGG 40.3 nodular cast iron material FLANGE, ST42 material BODY, ST37 material NUT & BOLT, nitrile rubber material PARKING RING and brass material WASHER.

2 - INSTALLATION AND MAINTENANCE INSTRUCTIONS

• Installation:

- Rotmak R-series Pipe Couplings available DN PN 16 standards Flange size use capable gasket and bolt to the install pipe.
- Rotmak R-Series Pipe Couplings are available on pipe lines including air, water, oil, water seal effluent and scrubber effluent.
- “The Washer” prevents the pipes touching eachother to obtain flexibility of the pipes.

•Maintenance:

- Compress fully the Air Washer and check up.
- Keep well conditions of paint to prevent corrosion.

Rotmak R-Series Pipe Couplings can be used on ALL pipe lines by changing the coupling's **PARKING RING**.

AIR PIPE HEAD



Minimal Design



Cast Iron Material



More Durable & Longer Life



Improved Technical Design

Flame Screen



▶ Including Flame Screen as a standart, it is available for all oil fuel storage tanks application.



▶ Protect the tank from external effects.



▶ Provide Visual Check the ball & seat o-ring.



▶ Prevent The Ball to be painted.



▶ Prevent possible human touches & crashes.



Cage System



PIPE COUPLING

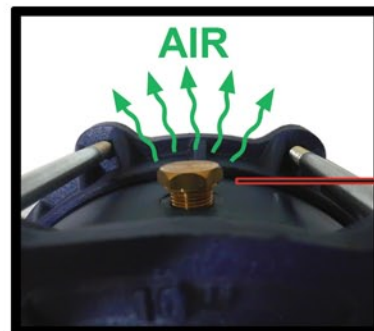
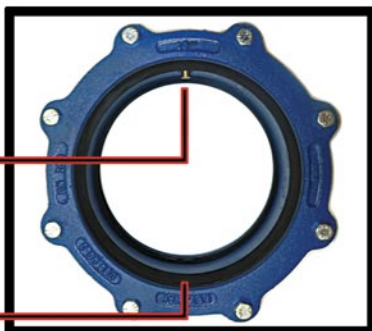
Washer Closed

Washer Opened



“The Washer” prevents the pipes touching eachother to obtain flexibility of the pipes.

Can be used on different pipe lines by changing the PARKING RING.



Remaining air in the pipes can be cleared out by “The Washer” to provide circulation.

If needed, the washer can be used for hydrostatic tests of the pipeline.



It is used for draining of fuel-oil, diesel and oil tanks.



SPECIAL PROJECTS



Based on our clients demands and wishes, we implement Special Projects a reality.

For further information & inquiries :
info@rotmak.com.tr





DET NORSKE VERITAS TYPE APPROVAL CERTIFICATE

CERTIFICATE NO. P-12797
This Certificate consists of 3 pages

This is to certify that the
Vent Head for Tank
with type designation(s)
R-series

Manufactured by
ROTMAK DENİZCİLİK SAN VE TIC LTD STI
Istanbul, Turkey

is found to comply with
Det Norske Veritas' Rules for Classification of Ships

Application
The air vent heads are approved for use on air pipes from tanks according to Det Norske Veritas Rules Pt.4, Ch.6, Sec.4 K and the International Convention on Load Line 1966, Ch.II, Reg.20.

Sizes: DN 50 to DN 200

Place and date
Høvik, 2008-06-11
for DET NORSKE VERITAS AS



This Certificate is valid until
2012-06-30

Hanne Anita Hjerpetjønn
Head of Section

Local Office
DNV Istanbul

Apınal Şahin
Oyvind Skåm
Surveyor

Notes: This Certificate is subject to terms and conditions overleaf. Any significant change in design or construction may render this Certificate invalid. The validity date relates to the Type Approval Certificate and not to the approval of equipment/systems installed.



DET NORSKE VERITAS TYPE APPROVAL CERTIFICATE

CERTIFICATE NO. P-12796
This Certificate consists of 4 pages

This is to certify that the
Expansion Joint for Pipe, Slide Type and Flexible Type
with type designation(s)
ROTMAK

Manufactured by
ROTMAK DENİZCİLİK SAN VE TIC LTD STI
Istanbul, Turkey

is found to comply with
Det Norske Veritas' Rules for Classification of Ships
DNV Classification of Ships & HSLC Pt.4 Ch. 6 "Piping Systems"
Det Norske Veritas' Standards for Certification 2.9 No. 5-792.20

Temperature range:	0°C to +40°C
Max. working press.:	16 bar
Sizes:	DN 80 to DN 300

Place and date
Høvik, 2008-06-11
for DET NORSKE VERITAS AS



This Certificate is valid until
2012-06-30

B. McEwan
Hanne Anita Hjerpetjønn
Head of Section

Local Office
DNV Istanbul

Apınal Şahin
Oyvind Skåm
Surveyor

Notes: This Certificate is subject to terms and conditions overleaf. Any significant change in design or construction may render this Certificate invalid. The validity date relates to the Type Approval Certificate and not to the approval of equipment/systems installed.



Certificate of Registration

This is to certify that :

ROTMAK DENİZCİLİK SAN. VE TIC. LTD. STI.
E.Celebi Mh. İstasyon Cd. G-59 Sok. Gıda San. Sit. E Blok No:19 Tuzla / İSTANBUL

Has been assessed by International Certification Registrar Ltd., in respect of their
Quality Management Systems and found to comply with

ISO 9001:2000

Approval is hereby granted for registration providing the rules and conditions
relating to certification are observed at all times.

Certification Scope :
**SEA TRANSPORT, CHARTERING OF
SHIPS, PRODUCTION AND SALES OF SHIP PARTS**

Certificate Issue Date : 14th Sep 2007
Expiration Date : 13th Sep 2010

Certificate No. : Q14965/07

The Seal of ICR Limited was here to affixed
in the presence of :

M. M. S.
Managing Director



ICR International Certification Registrar is a certification body, duly accredited by ANAB and is a member of the ANAB network (www.anab.org)



Certificate of Registration

This is to certify that :

ROTMAK DENİZCİLİK SAN. VE TIC. LTD. STI.
E.Celebi Mh. İstasyon Cd. G-59 Sok. Gıda San. Sit. E Blok No:19 Tuzla / İSTANBUL

ICR Yönetim adı geçen kuruluşun, Kalite Yönetim Sistemini
uygulama detayları belirlenen
Kalite Standardı gerekliliklerine uygunluğunu değerlendirmiş olup, onaylamaktadır.

ISO 9001:2000

Bitiş tarihine kadar geçerli olan bu sertifikamın, geçerliliği ICR
tarafından periyodik olarak kontrol edilmektedir.

Kapsam
**GEMİ TAŞIMACILIĞI, GEMİ KIRALANMASI,
GEMİ PARÇALARI ÜRETİMİ PAZARLAMA VE SATIŞI**

Sertifika Yayın Tarihi : 14th Sep 2007
Bitiş Tarihi : 13th Sep 2010

Sertifika No. : Q14965/07

The Seal of ICR Limited was here to affixed
in the presence of :

M. M. S.
Managing Director



ICR International Certification Registrar is a certification body, duly accredited by ANAB and is a member of the ANAB network (www.anab.org)



ISO 9001 : 2000

ROTMAK

Maritime Inc.

<http://www.rotmak.com.tr>



DNV

Mescit Mh. Atatürk Cad. Birmes San. Sitesi A/2 Blok No:1 P.K. 34956 Orhanlı - Tuzla / İSTANBUL TURKEY

Tel : 0090 216 394 8080 (PBX) Fax : 0090 216 394 1702 Web : <http://www.rotmak.com.tr>